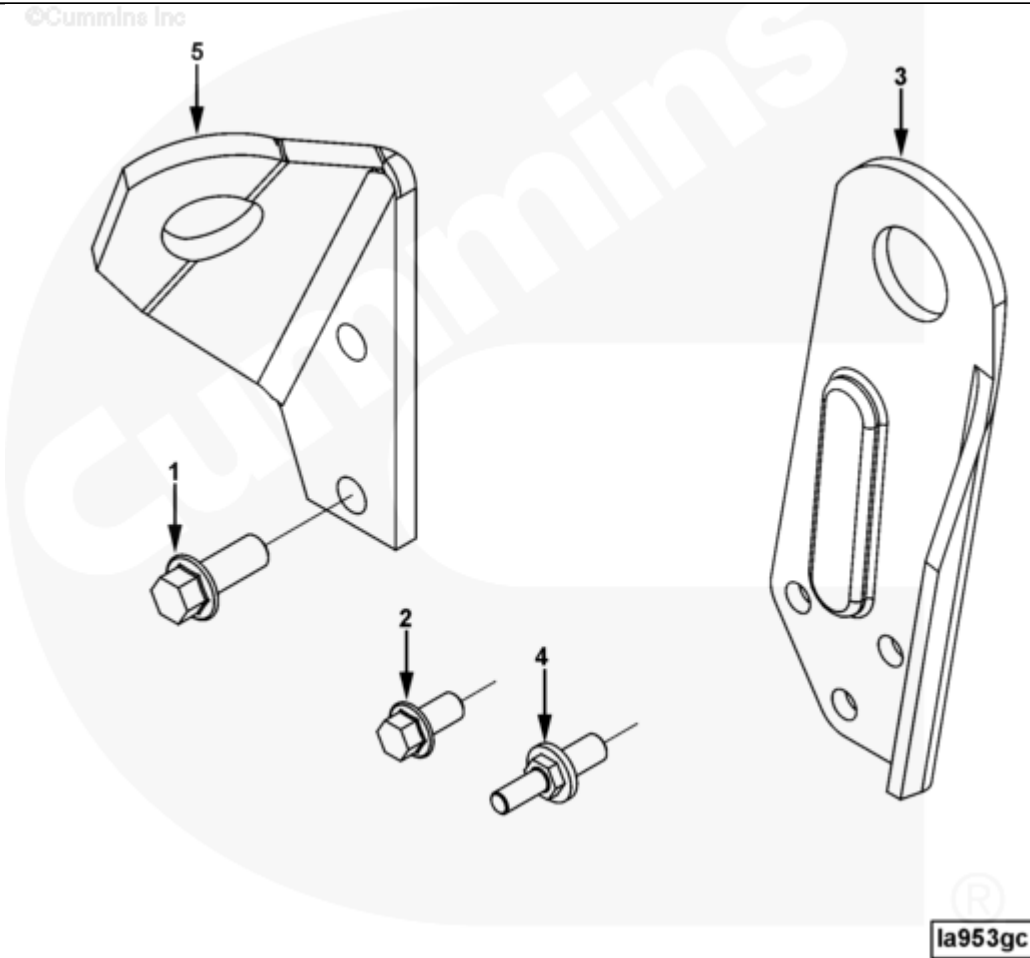




Parts Catalog - Option Detail

Electronic Parts Catalog - Option Detail				
Option	Group	Graphic	Film Card	Date
LA9136	17.06	la953gc	Z	02-JAN-06
Engines	6C8.3, C GAS PLUS CM556, G8.3, G8.3 CM558, GTA8.3 CM558, ISC CM2150, ISC CM554, ISC CM850, ISC8.3 CM2250, ISC8.3 G CM2180 C101, ISL CM2150, ISL CM554, ISL CM850, ISL G CM2180, ISL8.9 CM2150 L110, ISL8.9 CM2880 L112, ISL9 CM2150 SN, ISL9 CM2250, ISL9 CM2350 L101, ISL9 CM2350 L111, ISLE4 CM850, L GAS PLUS CM556, L8.9, L8.9 L121, L8.9G CMOH2.0 L125B, L9 CM2350 L116B, L9 CM2350 L119B, L9 CM2350 L120C, L9 CM2350 L123B, L9.3 L105, L9.5 L117, L9N CM2380 L124B, QSC8.3 CM2250, QSC8.3 CM2880 C102, QSC8.3 CM554, QSC8.3 CM850(CM2850), QSL9 CM2250, QSL9 CM2250 L115, QSL9 CM2350 L102, QSL9 CM2350 L107, QSL9 CM2350 L118, QSL9 CM2350 L122, QSL9 CM554, QSL9 CM850(CM2850), QSL9 G CM558, QSL9 M CM2250 L106, QSL9.3 CM2880 L113			



[SMALL](#) | [MEDIUM](#) | [LARGE](#)

Cart	Ref No	Part Number	Part Description	Required	Remarks
<input type="button" value="View My Cart"/>					
		LA9136	Lifting Arrangement		MR - ARRANGEMENT, LIFTING...(More)

					Brackets Provided: Front &
					Rear
					Front Bracket Location:
					Front Face of Cylinder Block
					Centerline of Engine to Eye
					Centerline (mm): -113
					Centerline of Crank to Eye
					Centerline (mm): 496
					Front Face of Block to Eye
					Centerline (mm): 32
					Rear Bracket Location: Rear
					Face of Cylinder Head
					Centerline of Engine to Eye
					Centerline (mm): 105.5
					Centerline of Crank to Eye
					Centerline (mm): 504.5
					Front Face of Block to Eye
					Centerline (mm): -871.8
					Distance Between Centerlines
					(mm): 901
					Engine Family: C & L Series
					Max Lifting Load (lbs): 3270
					Bracket Pre-Painted: No
<input type="checkbox"/>	1	3093938	Hexagon Flange Head Cap Screw	2	M12 x 1.75 x 30
<input type="checkbox"/>	2	3903990	Hexagon Flange Head Cap Screw	2	M10 X 1.50 X 20.
<input type="checkbox"/>	3	3959113	Lifting Bracket	1	
<input type="checkbox"/>	4	4078617	Studded Flange Cap Screw	1	
<input type="checkbox"/>	5	4929640	Lifting Bracket	1	

